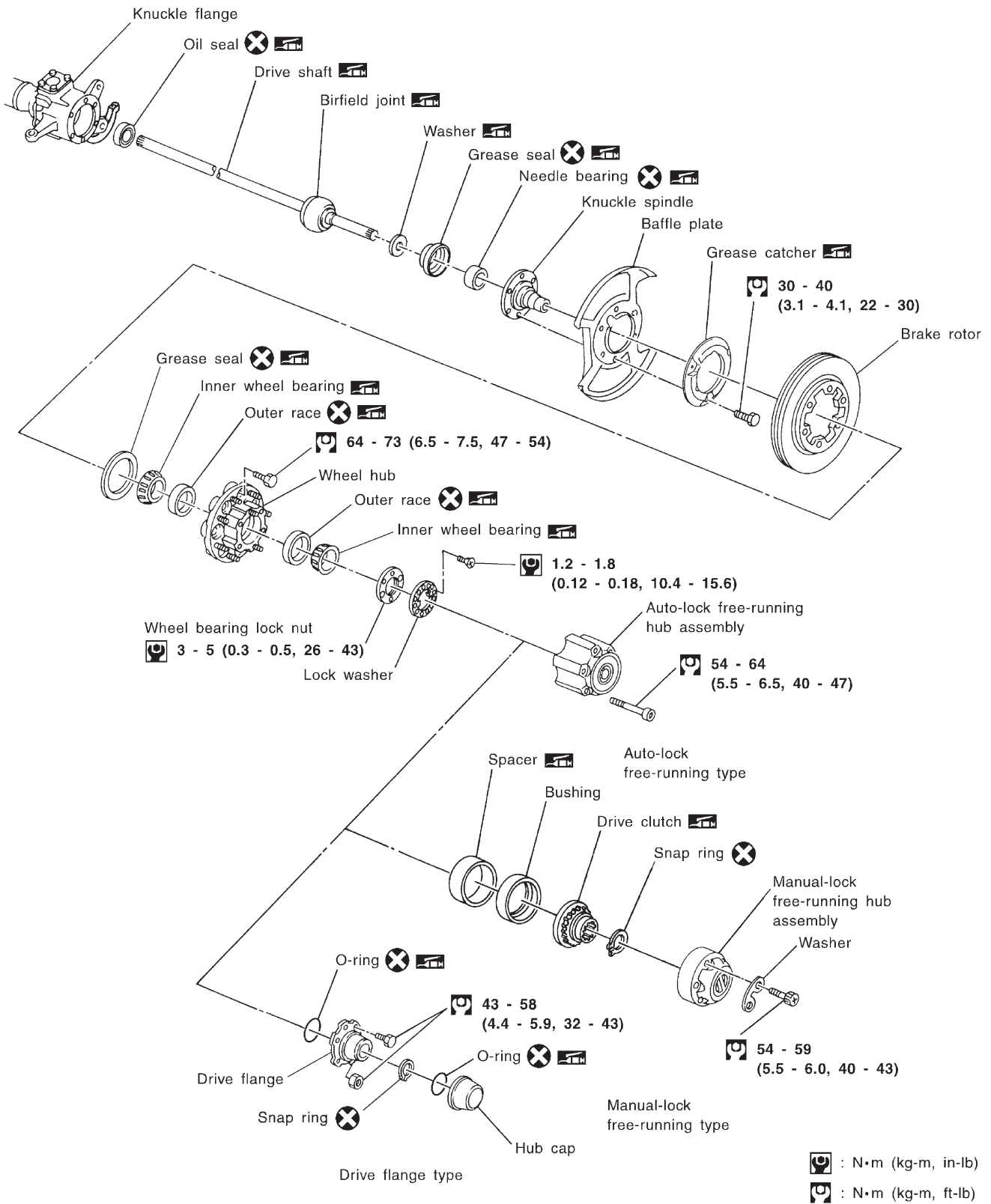


FRONT AXLE — Drive Flange and Free-running Hub

SEC. 391•400



SFA859BA