

## FRONT BLOWER MOTOR ON-VEHICLE INSPECTION

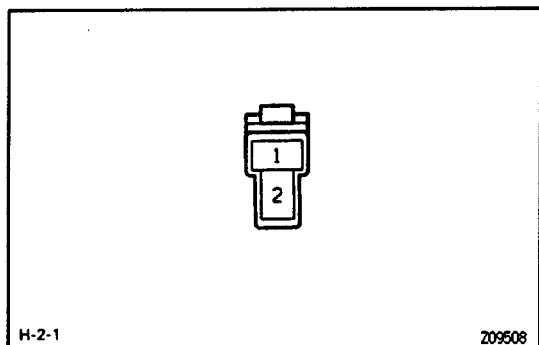
### 1. DISCONNECT NEGATIVE (-) TERMINAL CABLE FROM BATTERY

### 2. REMOVE FRONT BLOWER MOTOR

- (a) Disconnect the connectors from the blower motor and the blower resistor.
- (b) Remove the 3 screws and the blower motor.

### 3. INSPECT FRONT BLOWER MOTOR OPERATION

Connect the positive (+) lead from the battery to terminal 1 and the negative (-) lead to terminal 2, then check that the motor operation is smooth. If operation is not as specified, replace the motor.



H-2-1

Z09508

## REAR BLOWER MOTOR ON-VEHICLE INSPECTION

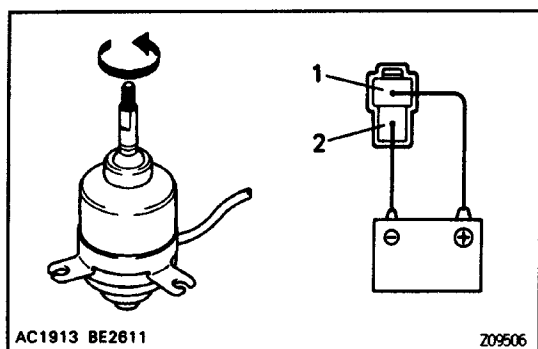
### 1. DISCONNECT NEGATIVE (-) TERMINAL CABLE FROM BATTERY

### 2. REMOVE REAR BLOWER MOTOR

- (a) Remove the console box.
- (b) Remove the rear blower motor.

### 3. INSPECT REAR BLOWER MOTOR OPERATION

Connect the positive (+) lead from the battery to terminal 1 and the negative (-) lead to terminal 2, then check that the motor operation is smooth. If operation is not as specified, replace the motor.



AC1913 BE2611

Z09506